

# RESILIENT SEAL GATE VALVE

DN50 TO DN600 PN10 / 16 / 25



## TECHNICAL ADVANTAGES

- Valve Design According to BS EN 1171 – EN 1074-2
- Face to Face Length According to EN 558-1 Basic Series 14 (F4)
- Flanged Connection According to EN 1092-2
- Valve test According to EN 12266-
- Corrosion Resistant Stem Sealing
- Triple O-Rings
- Non-rising stem type
- Soft seated, low operating Torque.
- This Product is WRAS Drinking Water Approved
- Suitable for both sewage and Drinking water applications.
- Suitable for Underground Applications.
- Can be used as ISOLATION VALVE
- NBR Coated Wedge can be used for Nonflammable Oil Applications
- Application Fields and Temperatures of
- Series valves vary according to the selection of the seat.

## MATERIAL

- Body: Ductile Iron (GGG50)
- Bonnet: Ductile Iron (GGG50)
- Wedge: Ductile Iron + EPDM
- Bolts: Steel 8.8 + Wax, A270
- Stem Nuts: Ductile Iron Brass
- Stem: 2Cr13, SS316, SS316L
- Gasket: EPDM
- O Ring: EPDM
- Bearing: Steel
- Support: Ductile Iron (GGG50)



## COATING

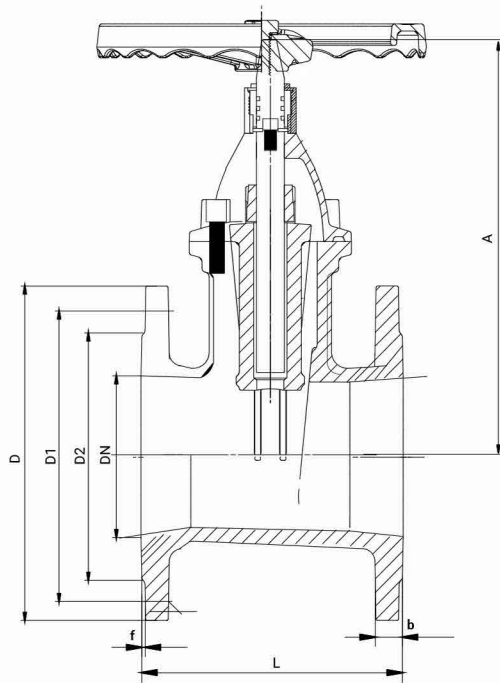
- Inner and outer surface of the valve is powder epoxy coated (250-350 Microns) for all sizes

## VERSIONS

- Ready For Electric Actuator
- With Electric Actuator
- With Handwheel
- With Telescopic or Rigid Extension Spindle 2Cr13 as Standard
- With Limit Switches or Position Indicator.
- With Operation Cap or T-Key

# RESILIENT SEAL GATE VALVE

DN50 TO DN600 PN10 / 16 / 25



DN	L (mm)		Flange Dimensions to DIN2501 (mm)										Weight
	F4	A (mm)	D		D1		D2		f	b	n-d		KG/PCS
			1,0 MPa	1,6 MPa	1,0 MPa	1,6 MPa	1,0 MPa	1,6 MPa			1,0 MPa	1,6 MPa	F4
50	150	230	160		125		99		2	15	4-19		8
65	170	230	179		145		118		2	15	4-19		9
80	180	240	194		160		132		2	16	8-19		11
100	190	260	220		180		156		2	16	8-19		14
125	200	330	250		210		184		2	18	8-19		22
150	210	360	276		240		311		2	18	8-23		27
200	230	450	330		295		266		3	20	8-23	12-23	50
250	250	550	385	395	350	355	319		3	22	12-23	12-28	75
300	270	670	435	450	400	410	370		3	24	12-23	12-28	94
350	290	870	505	520	460	470	429		4	24,5	16-23	16-28	165
400	310	1010	565	580	515	525	480	489	4	24,5	16-28	16-31	230

DN	L (mm)		Flange Dimensions to DIN2501 (mm)										Weight
	F4	A (mm)	D		D1		D2		f	b	n-d		KG/PCS
			1,0 MPa	1,6 MPa	1,0 MPa	1,6 MPa	1,0 MPa	1,6 MPa			1,0 MPa	1,6 MPa	F4
450	330	1080	615	640	565	585	530	546	4	25,5	20-28	20-31	280
500	350	1080	670	715	620	650	582	609	4	26,5	20-28	20-34	330
600	390	1345	780	840	725	770	882	720	5	30	20-31	20-37	470