

SKDM / SKDN 60



V_{RSM}, V_{RRM} V	$V_{RMS}^{3)}$ V	$I_D = 60 \text{ A}$ ($T_c = 95 \text{ }^\circ\text{C}$, single M2U output) Types	
400	125	SKDM 60/04	SKDN 60/04
800	250	SKDM 60/08	SKDN 60/08
1000	310	SKDM 60/10	SKDN 60/10
1200	400	SKDM 60/12	SKDN 60/12
1600	500	SKDM 60/16	SKDN 60/16

Power Bridge Rectifiers

SKDM 60, SKDN 60

Features

- Isolated metal case with screw terminals
- Internally matched diodes to allow parallel connections
- Blocking voltage up to 1600 V
- High surge currents
- Easy chassis mounting

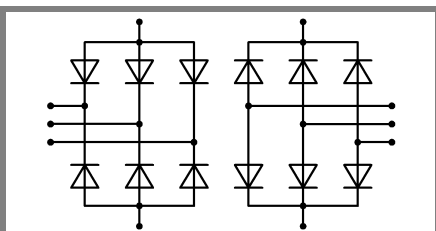
Typical Applications

- Center-Tap input rectifier for power supplies
- Blocking diodes for connection of redundant power supplies/batteries
- Medium power isolated diodes for general purpose use.
- Battery charger rectifiers
- Recommended snubber network:
RC: 50 Ω , 0.1 μF ($P_R = 1 \text{ W}$)

- 1) Freely suspended or mounted on an insulator
- 2) Mounted on a painted metal sheet of min. 250 x 250 x 1 mm
- 3) Recommended

Symbol	Condition for 3 outputs	Values	Units
I_D	$T_c = 65 \text{ }^\circ\text{C}$ (3 x M2U connection)	31	A
I_{DCL}	$T_c = 65 \text{ }^\circ\text{C}$ (3 x M2U connection)	24	A
I_{FSM}	$T_{vj} = 25 \text{ }^\circ\text{C}$; 10 ms	370	A
i^2t	$T_{vj} = 150 \text{ }^\circ\text{C}$; 10 ms	320	A
	$T_{vj} = 25 \text{ }^\circ\text{C}$; 8,3 ...10 ms	680	A^2s
V_F	$T_{vj} = 25 \text{ }^\circ\text{C}$, $I_F = 150 \text{ A}$	max. 2,2	V
	$T_{vj} = 150 \text{ }^\circ\text{C}$	0,85	V
r_T	$T_{vj} = 150 \text{ }^\circ\text{C}$	12	$\text{m}\Omega$
I_{RD}	$T_{vj} = 25 \text{ }^\circ\text{C}$; $V_{RD} = V_{RRM}$	300	μA
I_{RD}	$T_{vj} = 150 \text{ }^\circ\text{C}$; $V_{RD} = V_{RRM}$	5	mA
t_{rr}	$T_{vj} = 25 \text{ }^\circ\text{C}$	typ. 25	μs
f_G		2000	Hz
$R_{th(j-a)}$	isolated ¹⁾	8,5	K/W
$R_{th(j-c)}$	chassis ²⁾	3,3	K/W
	total	0,7	K/W
$R_{th(c-s)}$	total	0,1	K/W
T_{vj}		-40 ... +150	$^\circ\text{C}$
T_{stg}		-55 ... +150	$^\circ\text{C}$
V_{isol}	a. c. 50 ... 60 Hz; r.m.s.; 1 s / 1 min.	3000 / 2500	V~
M_1	to heatsink	SI units	5 \pm 15 %
		US units	44 \pm 15%
M_2	to terminals	SI units	1,5 \pm 15 %
		US units	13 \pm 15%
M	approx.	115	Lb. in. g
Case		G 13 modified	

Symbol	Condition for single output	Values	Units
I_D	$T_c = 65 \text{ }^\circ\text{C}$ (M2U with 3 paralleled diodes)	84	A
I_{DCL}	$T_c = 65 \text{ }^\circ\text{C}$ (M2U with 3 paralleled diodes)	64	A
I_{FSM}	$T_{vj} = 25 \text{ }^\circ\text{C}$; 10 ms	1000	A
i^2t	$T_{vj} = 150 \text{ }^\circ\text{C}$; 10 ms	850	A
	$T_{vj} = 25 \text{ }^\circ\text{C}$; 8,3 ...10 ms	5000	A^2s
	$T_{vj} = 150 \text{ }^\circ\text{C}$; 8,3 ...10 ms	3600	A^2s



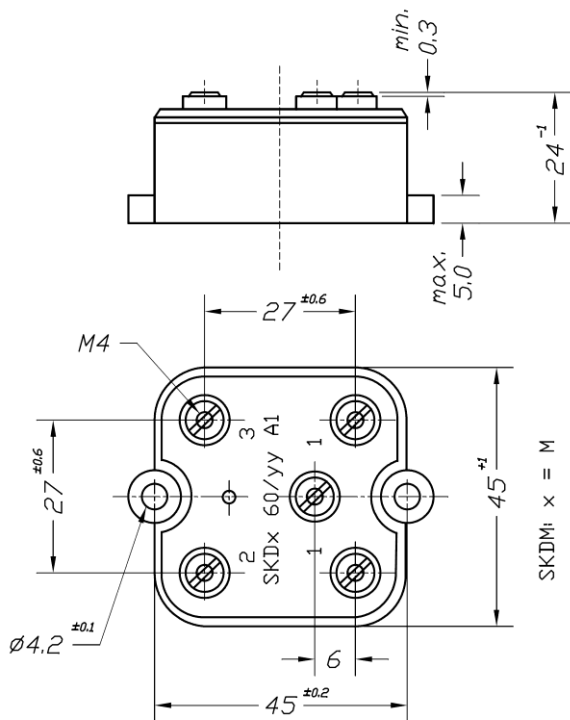
SKDM

SKDN

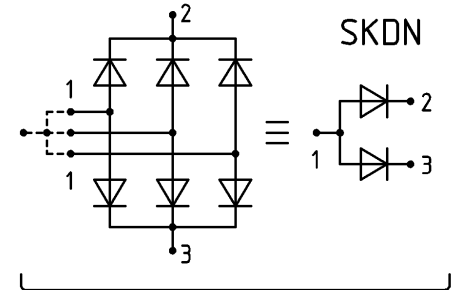
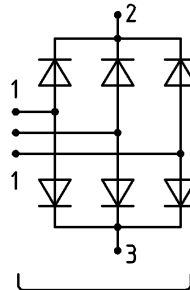
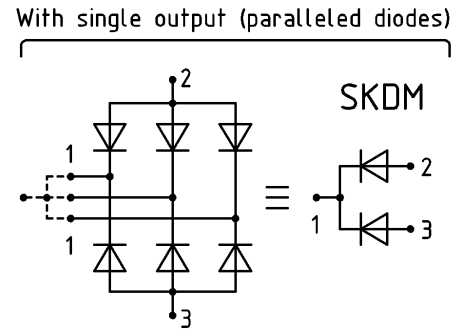
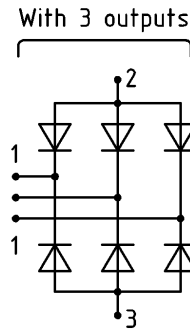
Symbol	Condition for 6 paralleled diodes*	Values	Units
I_D	$T_c = 65 \text{ }^\circ\text{C}$ (E1U with 6 paralleled diodes)	84	A
I_{DCL}	$T_c = 65 \text{ }^\circ\text{C}$ (E1U with 6 paralleled diodes)	64	A
I_{FSM}	$T_{vj} = 25 \text{ }^\circ\text{C}$; 10 ms	2000	A
i^2t	$T_{vj} = 150 \text{ }^\circ\text{C}$; 10 ms	1700	A
	$T_{vj} = 25 \text{ }^\circ\text{C}$; 8,3 ...10 ms	20000	A^2s
	$T_{vj} = 150 \text{ }^\circ\text{C}$; 8,3 ...10 ms	14400	A^2s

* With all 6 internal diodes connected in parallel as a single diode. 2 bridges are necessary to build a M2U rectifier in this case.

Dimensions in millimeters



SKDM: x = M
SKDN: x = N
yy = Vrrm / 100



Case G13 modified

Notes:

Connections with single output are created by short-circuiting the bridge terminals "1". This connection must be made with busbars or cables large enough to ensure good current sharing between paralleled diodes. Inputs 2 and 3 can also be short-circuited to transform it in a single isolated power diode (six internal diodes in parallel). This connection also must be made with busbars or cables large enough to ensure good current sharing between paralleled diodes. Current capacity when using paralleled diodes can be calculated as on non-paralleled diodes and after multiplying it by the number of diodes that are working in parallel. A derating of 10% is recommended on resulting values.

*IMPORTANT INFORMATION AND WARNINGS

The specifications of SEMIKRON products may not be considered as guarantee or assurance of product characteristics ("Beschaffenhheitsgarantie"). The specifications of SEMIKRON products describe only the usual characteristics of products to be expected in typical applications, which may still vary depending on the specific application. Therefore, products must be tested for the respective application in advance. Application adjustments may be necessary. The user of SEMIKRON products is responsible for the safety of their applications embedding SEMIKRON products and must take adequate safety measures to prevent the applications from causing a physical injury, fire or other problem if any of SEMIKRON products become faulty. The user is responsible to make sure that the application design is compliant with all applicable laws, regulations, norms and standards. Except as otherwise explicitly approved by SEMIKRON in a written document signed by authorized representatives of SEMIKRON, SEMIKRON products may not be used in any applications where a failure of the product or any consequences of the use thereof can reasonably be expected to result in personal injury. No representation or warranty is given and no liability is assumed with respect to the accuracy, completeness and/or use of any information herein, including without limitation, warranties of non-infringement of intellectual property rights of any third party. SEMIKRON does not assume any liability arising out of the applications or use of any product; neither does it convey any license under its patent rights, copyrights, trade secrets or other intellectual property rights, nor the rights of others. SEMIKRON makes no representation or warranty of non-infringement or alleged noninfringement of intellectual property rights of any third party which may arise from applications. Due to technical requirements our products may contain dangerous substances. For information on the types in question please contact the nearest SEMIKRON sales office. This document supersedes and replaces all information previously supplied and may be superseded by updates. SEMIKRON reserves the right to make changes.