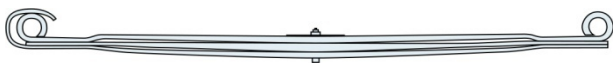


MERCEDES-BENZ *APJ*

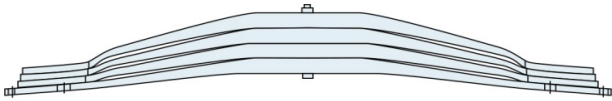
W	T	Lx	Ly	H	φx	φy	Weight
90	23	900	900	120	24	24	72



OEM No 9433200302

MERCEDES-BENZ *APJ*


W	T	Lx	Ly	H	φx	φy	Weight
100	37	780	780	50			118



OEM No 9483201005 4PCS

MERCEDES-BENZ *APJ*

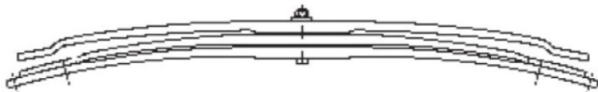
W	T	Lx	Ly	H	φx	φy	Weight
100	16	620	780	76	30	30	112



OEM No 6233200506

MERCEDES-BENZ *APJ*


W	T	Lx	Ly	H	φx	φy	Weight
100	37/49	780	780	40			110



OEM No 9483201205 (3/4 PCS COMPLETE)

MERCEDES-BENZ *APJ*

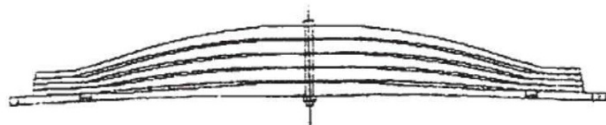
W	T	Lx	Ly	H	φx	φy	Weight
90	28	970	830	95	24/62	24/62	84/110



OEM No 9443200102 (3/4 PCS COMPLETE)

MERCEDES-BENZ *APJ*

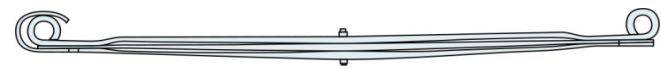
W	T	Lx	Ly	H	φx	φy	Weight
100	37	785	785	50			150



OEM No 9483201105, 9483201605 5PCS

MERCEDES-BENZ *APJ*

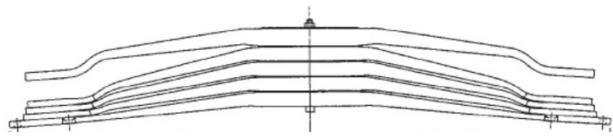
W	T	Lx	Ly	H	φx	φy	Weight
90	23	900	900	151	24/62	24/62	90



OEM No 9433200202

MERCEDES-BENZ *APJ*

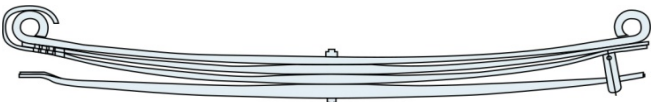
W	T	Lx	Ly	H	φx	φy	Weight
100	23/31	780	780	110			105



OEM No 9483200605

MERCEDES-BENZ *APJ*

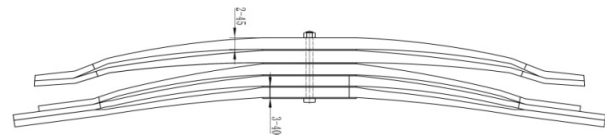
W	T	Lx	Ly	H	φx	φy	Weight
100	28/40	900	885	100			127/154



OEM No 9433200208 (4/5PCS COMPLETE)

MERCEDES-BENZ *APJ*

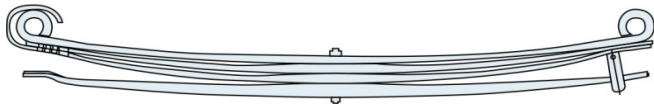
W	T	Lx	Ly	H	φx	φy	Weight
100	40/45	840	840	60			206



OEM No 9443201405

MERCEDES-BENZ

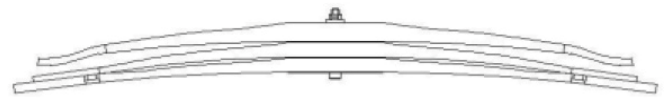
W	T	Lx	Ly	H	φx	φy	Weight
28/45		900	885	90			132/160



OEM No 9433200308 (4/5PCS COMPLETE)

www.parabolic-springs.com**MERCEDES-BENZ**

W	T	Lx	Ly	H	φx	φy	Weight
100	40	780	780				

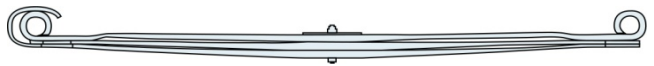


OEM No 9483201705

3PCS

www.parabolic-springs.com**MERCEDES-BENZ**

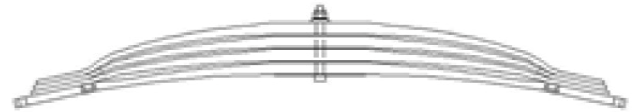
W	T	Lx	Ly	H	φx	φy	Weight
90	24	900	900	160	24/62	24/62	75/96



OEM No 9433200402 (3/4PCS COMPLETE)

www.parabolic-springs.com**MERCEDES-BENZ**

W	T	Lx	Ly	H	φx	φy	Weight
100	33	780	780				105

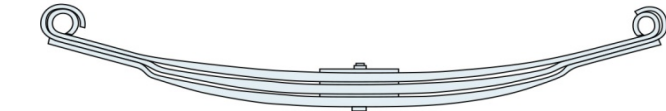


OEM No 9483201905

4PCS

www.parabolic-springs.com**MERCEDES-BENZ**

W	T	Lx	Ly	H	φx	φy	Weight
90	25	900	900	140	24/62	24/62	76/99



OEM No 9433200502 (3/4PCS COMPLETE)

www.parabolic-springs.com**MERCEDES-BENZ**

W	T	Lx	Ly	H	φx	φy	Weight
100	23/31	780	780	110			103

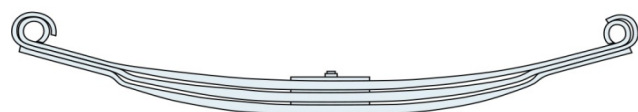


OEM No 9483200605

5PCS

www.parabolic-springs.com**MERCEDES-BENZ**

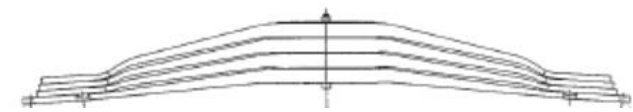
W	T	Lx	Ly	H	φx	φy	Weight
90	25	900	900	140	24/62	24/62	76/99



OEM No 9443200202 (3/4PCS COMPLETE)

www.parabolic-springs.com**MERCEDES-BENZ**

W	T	Lx	Ly	H	φx	φy	Weight
100	33	780	780	65			108

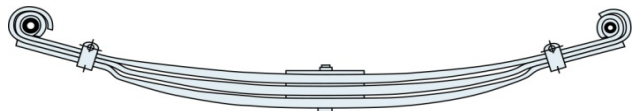


OEM No 9483200705

4PCS

www.parabolic-springs.com**MERCEDES-BENZ**

W	T	Lx	Ly	H	φx	φy	Weight
90	28	900	900	120	24/62	24/62	61/86



OEM No 9443200302 (2/3PCS COMPLETE)

www.parabolic-springs.com**MERCEDES-BENZ**

W	T	Lx	Ly	H	φx	φy	Weight
100	41/48	830	830	43			166



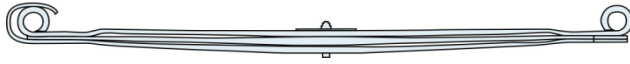
OEM No 9483201405

5PCS

www.parabolic-springs.com

MERCEDES-BENZ

W	T	Lx	Ly	H	φx	φy	Weight
90	25	900	685	80	24/62	24/65	66/85



OEM No 9493200202 (3/4PCS COMPLETE)

www.parabolic-springs.com**MERCEDES-BENZ**

W	T	Lx	Ly	H	φx	φy	Weight
90	43	750	750	70			85



OEM No 6253200305

3PCS

www.parabolic-springs.com**MERCEDES-BENZ**

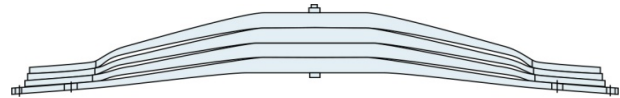
W	T	Lx	Ly	H	φx	φy	Weight
90	25	780	805	70	24/62	24/62	66/86



OEM No 9493200302 (3/4PCS COMPLETE)

www.parabolic-springs.com**MERCEDES-BENZ**

W	T	Lx	Ly	H	φx	φy	Weight
100	37	780	780	50			118

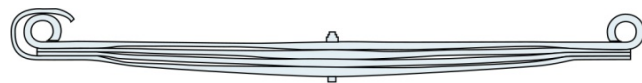


OEM No 9483201505

4PCS

www.parabolic-springs.com**MERCEDES-BENZ**

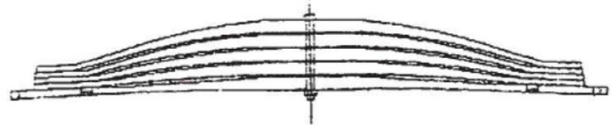
W	T	Lx	Ly	H	φx	φy	Weight
90	23	780	805	95	24/62	24/62	81



OEM No 9493200502

www.parabolic-springs.com**MERCEDES-BENZ**

W	T	Lx	Ly	H	φx	φy	Weight
100	37	785	785	50			150

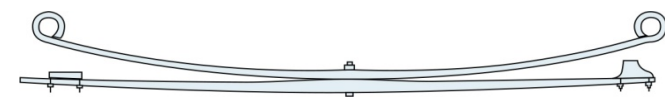


OEM No 9483201605

5PCS

www.parabolic-springs.com**MERCEDES-BENZ**

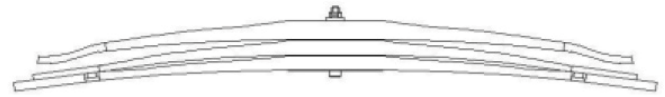
W	T	Lx	Ly	H	φx	φy	Weight
80	25/36	800	800	110			44/62



OEM No 9703200506 (2/3PCS COMPLETE)

www.parabolic-springs.com**MERCEDES-BENZ**

W	T	Lx	Ly	H	φx	φy	Weight
100	40	780	780				



OEM No 9483202205

3PCS

www.parabolic-springs.com**MERCEDES-BENZ**

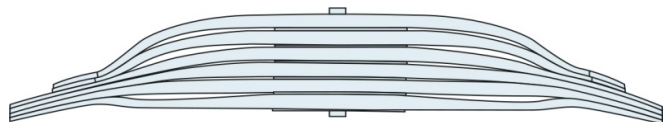
W	T	Lx	Ly	H	φx	φy	Weight
80	30/28	860	940	150			25/47



OEM No 9703200702 (1/2PCS COMPLETE)

www.parabolic-springs.com**MERCEDES-BENZ**

W	T	Lx	Ly	H	φx	φy	Weight
90	32	750	750	49			134



OEM No 6193200405

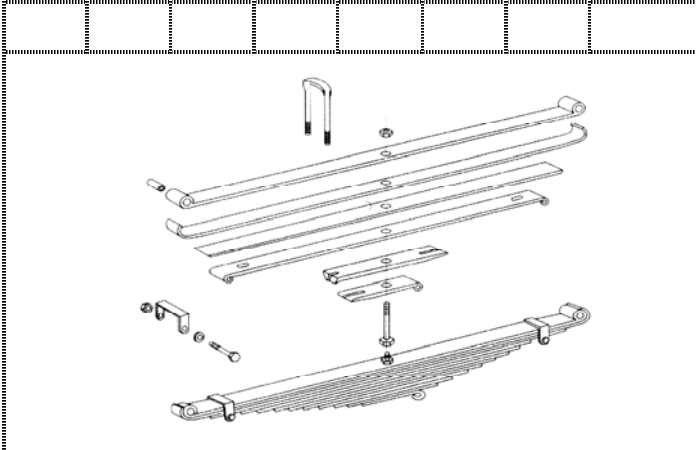
6PCS

www.parabolic-springs.com

MERCEDES-BENZ



W	T	Lx	Ly	H	φx	φy	Weight
---	---	----	----	---	----	----	--------



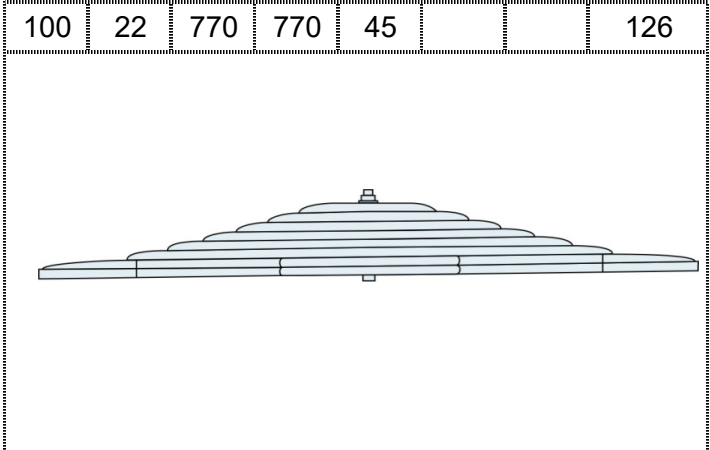
OEM No

www.parabolic-springs.com

MERCEDES-BENZ



W	T	Lx	Ly	H	φx	φy	Weight
---	---	----	----	---	----	----	--------



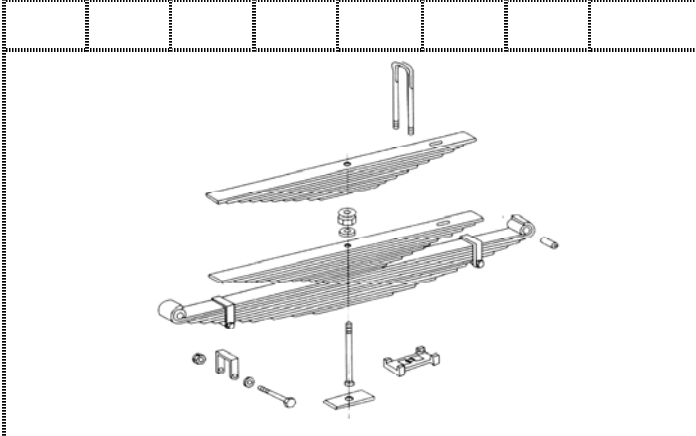
OEM No 3433200106

www.parabolic-springs.com

MERCEDES-BENZ



W	T	Lx	Ly	H	φx	φy	Weight
---	---	----	----	---	----	----	--------



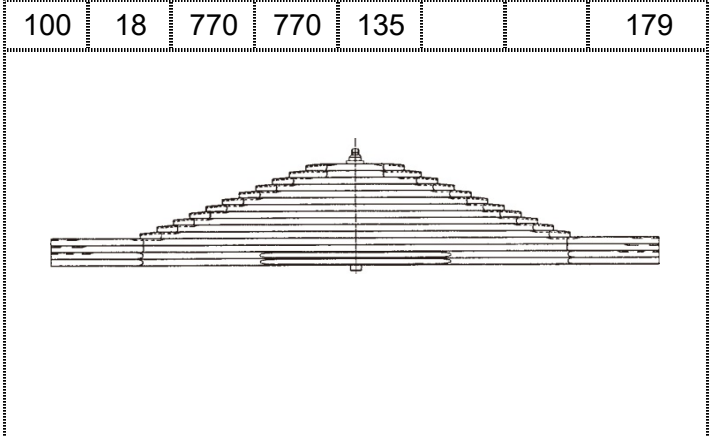
OEM No

www.parabolic-springs.com

MERCEDES-BENZ



W	T	Lx	Ly	H	φx	φy	Weight
---	---	----	----	---	----	----	--------



OEM No 313377000

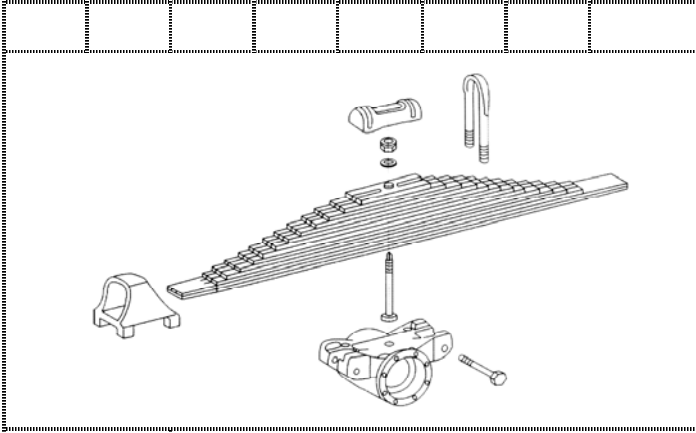
15PCS

www.parabolic-springs.com

MERCEDES-BENZ



W	T	Lx	Ly	H	φx	φy	Weight
---	---	----	----	---	----	----	--------



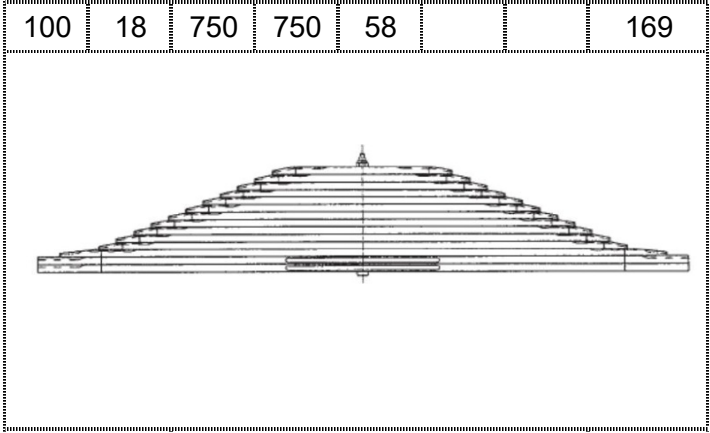
OEM No

www.parabolic-springs.com

MERCEDES-BENZ



W	T	Lx	Ly	H	φx	φy	Weight
---	---	----	----	---	----	----	--------



OEM No 3433200306

14PCS

www.parabolic-springs.com

MERCEDES-BENZ

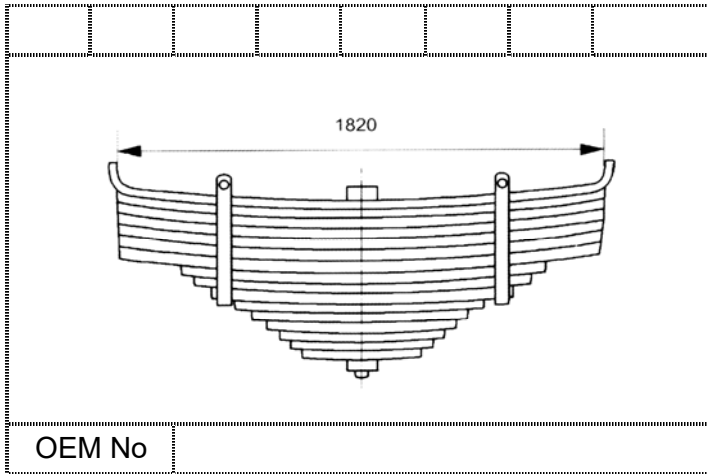


W	T	Lx	Ly	H	φx	φy	Weight
---	---	----	----	---	----	----	--------

MERCEDES-BENZ



W	T	Lx	Ly	H	φx	φy	Weight
---	---	----	----	---	----	----	--------



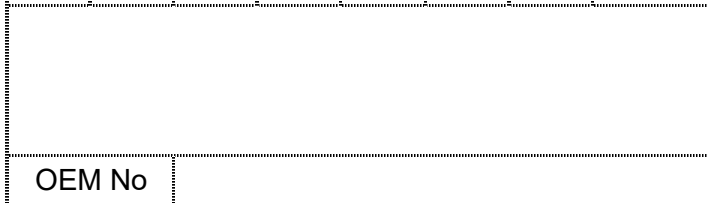
100	18	770	770	135			179	
OEM No							6243200106	15PCS

www.parabolic-springs.com

www.parabolic-springs.com

MERCEDES-BENZ								
<i>RPJ</i>								
W	T	Lx	Ly	H	φx	φy	Weight	

MERCEDES-BENZ								
<i>RPJ</i>								
W	T	Lx	Ly	H	φx	φy	Weight	
100	18	770	770	75			179	



OEM No

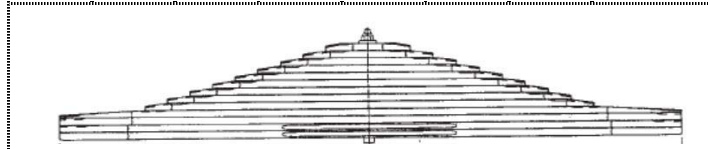
OEM No 6243200106,33677000

www.parabolic-springs.com

www.parabolic-springs.com

MERCEDES-BENZ								
<i>RPJ</i>								
W	T	Lx	Ly	H	φx	φy	Weight	

MERCEDES-BENZ								
<i>RPJ</i>								
W	T	Lx	Ly	H	φx	φy	Weight	
100	20	820	820	83			201	



OEM No

OEM No 6243200206

www.parabolic-springs.com

www.parabolic-springs.com

MERCEDES-BENZ								
<i>RPJ</i>								
W	T	Lx	Ly	H	φx	φy	Weight	

MERCEDES-BENZ								
<i>RPJ</i>								
W	T	Lx	Ly	H	φx	φy	Weight	
100	21	780	780	30			200	



OEM No

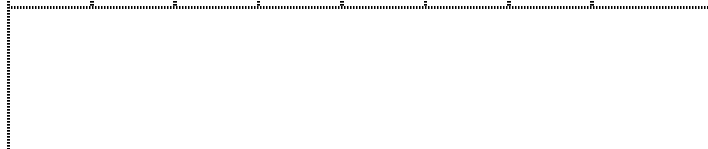
OEM No 3753200605

www.parabolic-springs.com

www.parabolic-springs.com

MERCEDES-BENZ								
<i>RPJ</i>								
W	T	Lx	Ly	H	φx	φy	Weight	

MERCEDES-BENZ								
<i>RPJ</i>								
W	T	Lx	Ly	H	φx	φy	Weight	



OEM No

OEM No