



### Overview

The RF900-A is a Dual-zone Fiber Optic Intrusion Detection System designed to detect intrusions into the perimeters and borders on the basis of the principle of M-Z laser interference. It adopts optical fiber vibration sensing technology, to detect and notify any intrusion attempt such as climbing, cutting sabotage the fence or disassembles the system. Furthermore, it has strong anti-disturb ability to eliminate environment nuisance alarms and can be immune to electromagnetic interference, lightning and storms.

RF900-A series product adopts Aluminum extrusions as its enclosure, which reached to be IP68 level.

The RF900 supports provides both indoor and outdoor deployment, supports 1-2 defense zones; it is suitable for villas, residential, oil depots and other short-distance or less complex perimeter protection.

Table 1 Product Lists

Part No.	Name	Feature
RF900 series	RF900-1	RF900 Fiber Optic Perimeter Defense Host contact closure output, 4 optical port outputs, suitable for indoor and outdoor application
	RF900-2	RF900 Fiber Optic Perimeter Defense Host contact closure output, single optical port output, suitable for indoor application only
	RF900-3	Model for oil well application supports rapid fiber cutting detection
	RF900-4	Single-zone Optic Perimeter Defense Host supports rapid fiber cutting detection
RF900-A series	RF900-A1	RF900 Fiber Optic Perimeter Defense Host contact closure output, 4 optical port outputs, suitable for indoor and outdoor application
	RF900-A2	RF900 Fiber Optic Perimeter Defense Host contact closure output, single optical port output, suitable for indoor application only
	RF900-A3	Model for oil well application supports rapid fiber cutting detection
	RF900-A4	Single-zone Optic Perimeter Defense Host supports rapid fiber cutting detection

### Features

- Zone length is up to 500m.
- One zone and two zones are optional.
- Optical fiber length is up to 1000m.
- Use normal optical fiber cable for telecommunications (GYXTW).
- Fiber optics can be installed on wire net or underground.
- Support contact closure alarm output.
- Detect behaviors of climbing, cutting, sabotage and disassembling.
- Support rapid fiber cutting detection (less than 1 second).
- Be immune to electromagnetic interference, lightning damage.
- ESD and surge protection circuits inside.
- Ambient working temperature: -40°C ~ +70°C.
- DC12V power supply with consumption less than 3W.
- The dimension of enclosure: 304mm x184mm x 78mm

# Application

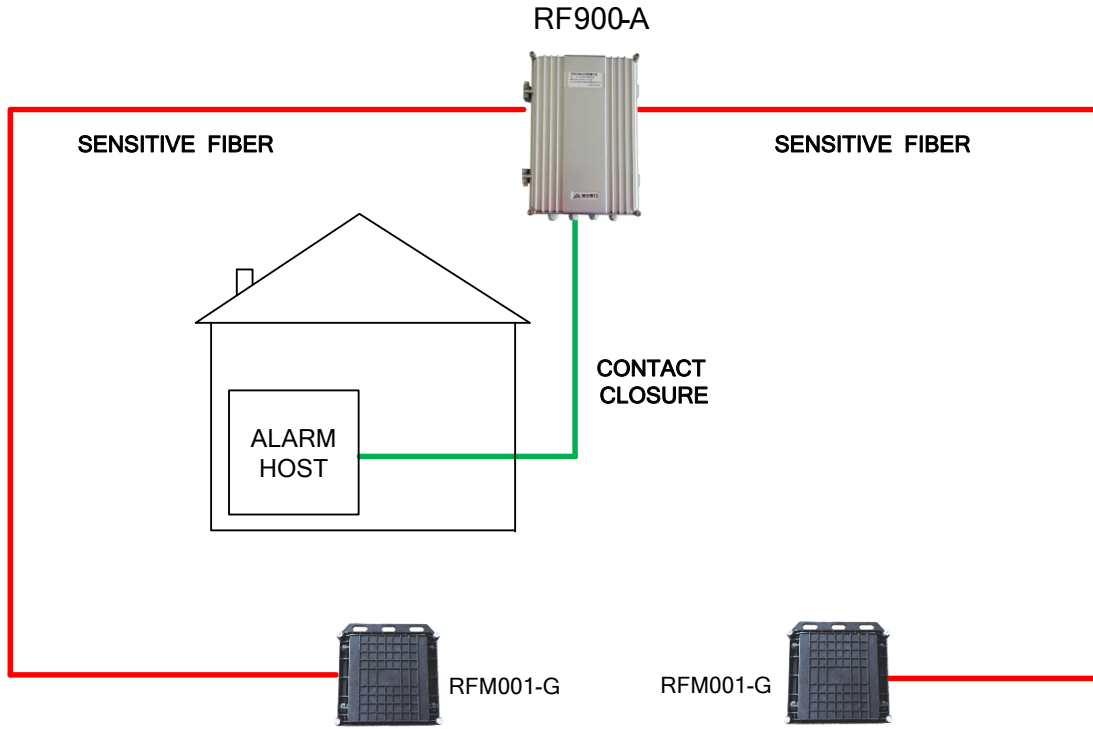


Figure 1 RF900 outdoor deployment

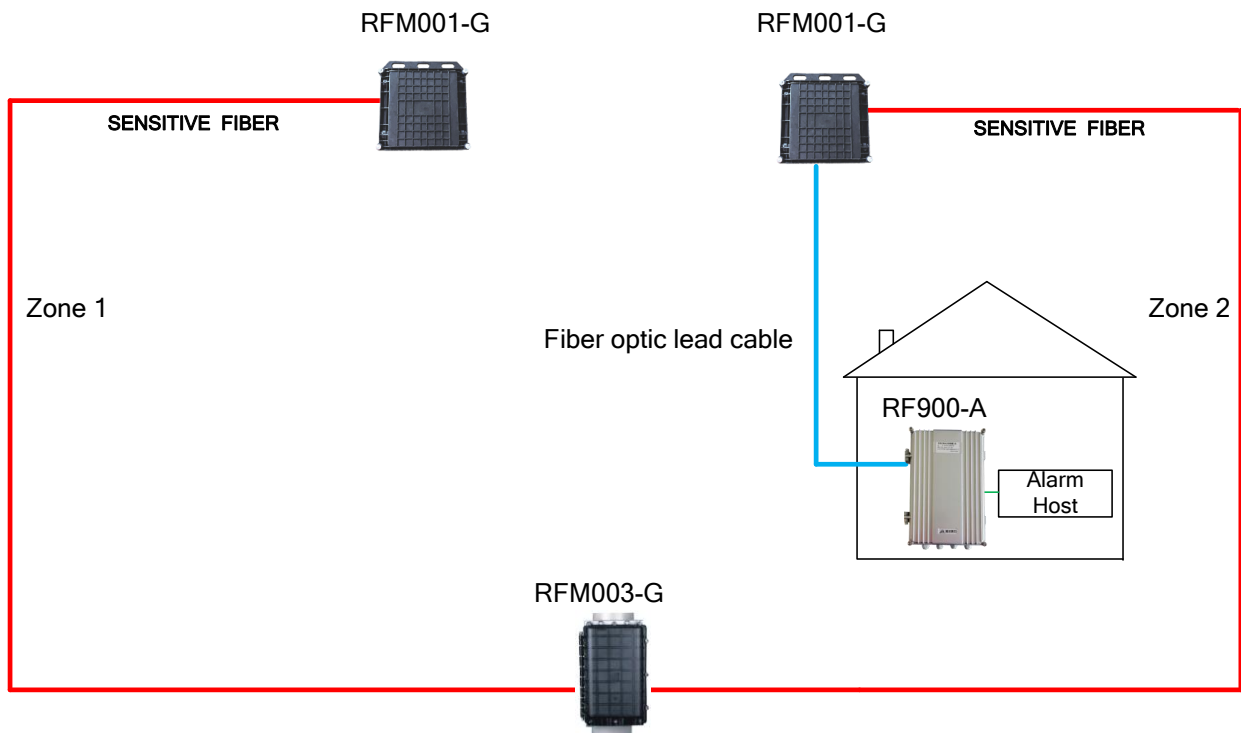


Figure 2 RF900 indoor deployment