

H01

Hinge Door

FEATURES

- Semi-frameless hinge door design
- Aluminum wall profile offers out-of-plumb adjustment
- Solid brass hinges provide durability and luxury
- 180° glass-to-glass hinge with the max. adjustment of 100mm(4")

Door Opening Direction

Right or left door panel

Adjustment

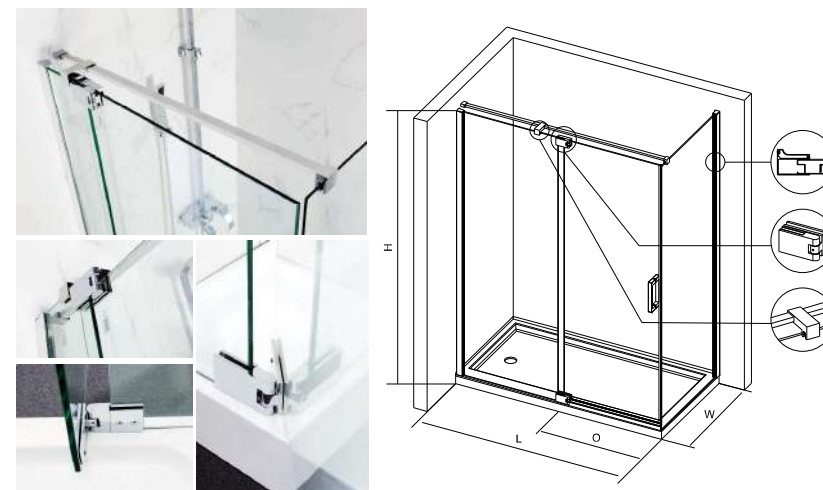
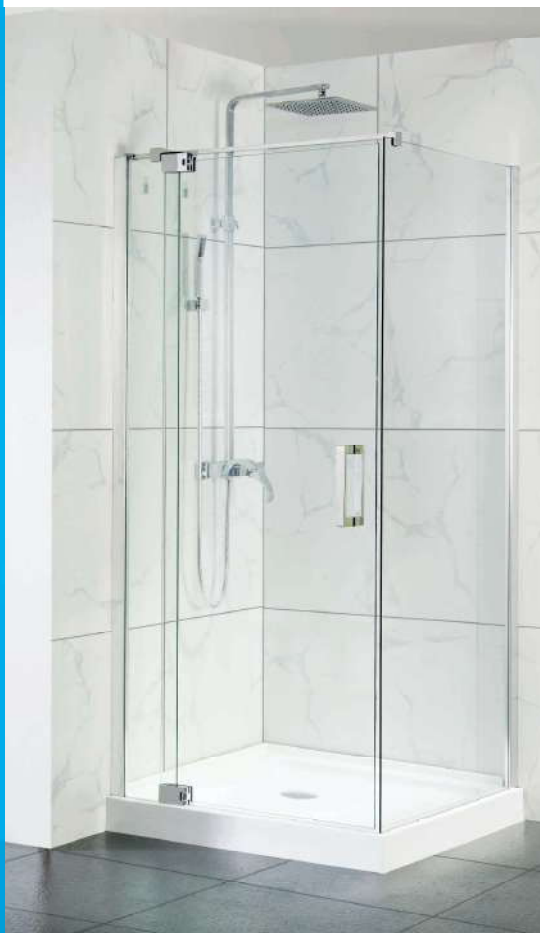
This door offers 20mm(3/4") out-of-plumb adjustment each side

Glass Option

Clear, Ultra Clear, Easy-Cleaning

Finish

Chrome, Brushed Nickel, Satin Black



SPECIFICATION

Dimensions In Imperial Units

Model	Finish wall to finish wall (L)	Approx. entry opening(O)	Height (H)
H01	30"-32"	20"	76" 78"
	32"-36"	24"	
	36"-40"	24"	
	40"-44"	24"	
	44"-48"	24"	

Glass: 1/4" , 5/16" or 3/8"
Return panel(W):32" - 36"

Dimensions In Metric Units

Model	Finish wall to finish wall (L)	Approx. entry opening(O)	Height (H)
H01	750-800mm	500mm	1900mm 2000mm
	800-900mm	600mm	
	900-1000mm	600mm	
	1000-1100mm	600mm	
	1100-1200mm	600mm	

Glass: 6mm , 8mm or 10mm
Return panel(W):800mm , 900mm , 1000mm

H02

Hinge Door



FEATURES

- Semi-frameless hinge door design
- Aluminum wall profile offers out-of-plumb adjustment
- Solid brass hinges provide durability and luxury
- 180° glass-to-glass hinge with the max. adjustment of 100mm(4")

Door Opening Direction

Right or left door panel

Adjustment

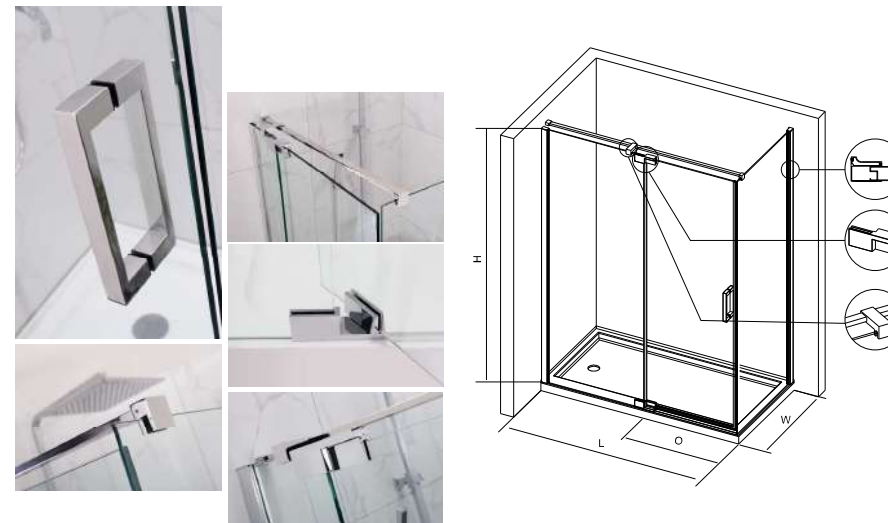
This door offers 20mm(3/4") out-of-plumb adjustment each side

Glass Option

Clear, Ultra Clear, Easy-Cleaning

Finish

Chrome, Brushed Nickel, Satin Black



SPECIFICATION

Dimensions In Imperial Units

Model	Finish wall to finish wall (L)	Approx. entry opening(O)	Height (H)
H02	30"-32"	22"	76"
	32"-36"	22"	
	36"-40"	24"	78"
	40"-44"	24"	
	44"-48"	24"	

Glass: 1/4" , 5/16" or 3/8"

Return panel(W):32" - 36"

Dimensions In Metric Units

Model	Finish wall to finish wall (L)	Approx. entry opening(O)	Height (H)
H02	750-800mm	554mm	1900mm 2000mm
	800-900mm	554mm	
	900-1000mm	605mm	
	1000-1100mm	605mm	
	1100-1200mm	605mm	

Glass: 6mm , 8mm or 10mm

Return panel(W):800mm , 900mm , 1000mm

H03

Hinge Door



FEATURES

- Semi-frameless hinge door design
- Aluminum wall profile offers out-of-plumb adjustment
- Solid brass hinges provide durability and luxury

Door Opening Direction

Right or left door panel

Adjustment

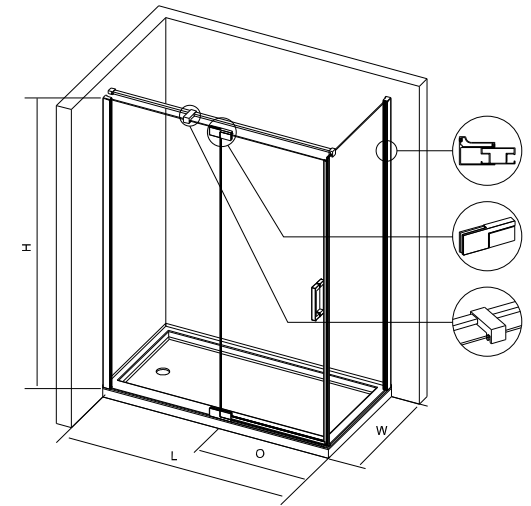
This door offers 20mm(3/4") out-of-plumb adjustment each side

Glass Option

Clear, Ultra Clear, Easy-Cleaning

Finish

Chrome, Brushed Nickel, Satin Black



SPECIFICATION

Dimensions In Imperial Units

Model	Finish wall to finish wall (L)	Approx. entry opening(O)	Height (H)
H03	36"	24"	76"
	40"	24"	
	44"	24"	78"
	48"	24"	

Glass: 1/4" , 5/16" or 3/8"
Return panel(W):32" - 36"

Dimensions In Metric Units

Model	Finish wall to finish wall (L)	Approx. entry opening(O)	Height (H)
H03	900mm	605mm	1900mm
	1000mm	605mm	
	1100mm	605mm	2000mm
	1200mm	605mm	

Glass: 6mm , 8mm or 10mm
Return panel(W):800mm , 900mm , 1000mm

H04

Hinge Door



FEATURES

- Frameless hinge door design at diamond shape
- All the hardware excepting for knob are in SS 304
- Aluminum knob

Door Opening Direction

Right or left door panel

Adjustment

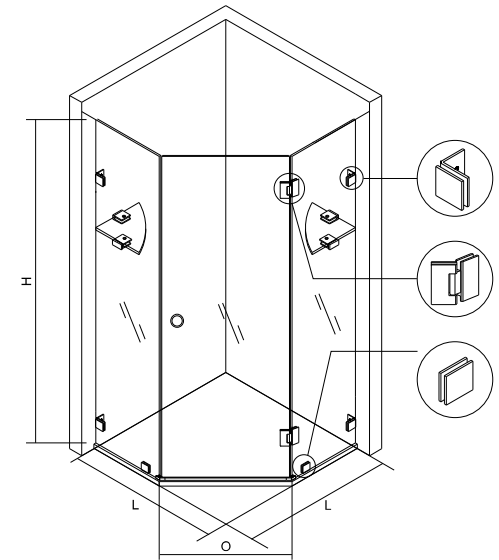
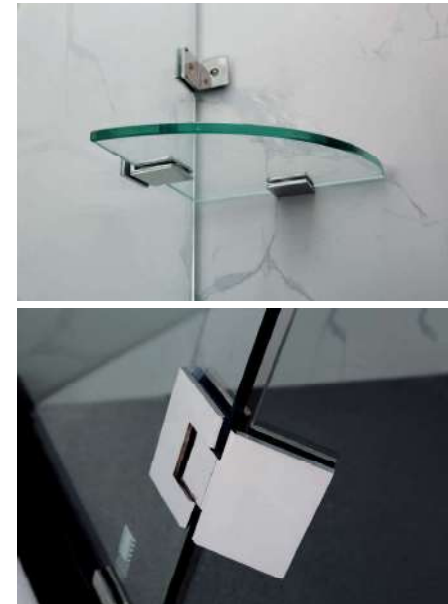
This shower enclosure does not have out-of-plumb adjustment

Glass Option

Clear, Ultra Clear, Easy-Cleaning

Finish

Polished Stainless, Brushed Stainless, Satin Black



SPECIFICATION

Dimensions In Imperial Units

Model	L	Approx. entry opening(O)	Height (H)
H04	36"X36"	23.5"	78"
	40"X 40"		

Glass: 1/4" , 5/16" or 3/8"

Dimensions In Metric Units

Model	L	Approx. entry opening(O)	Height (H)
H04	900mmX 900mm	600mm	2000mm
	1000mmX1000mm		

Glass: 6mm , 8mm or 10mm

H05

Hinge Door



FEATURES

- Frameless hinge door design
- Solid brass and stainless steel hardware provide durability and luxury

Door Opening Direction

The right or left door panel

Adjustment

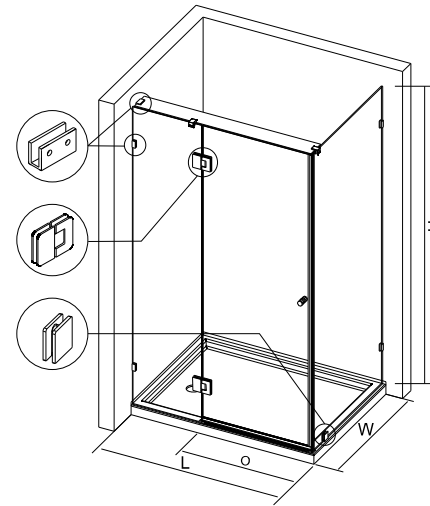
This door does not have out-of-plumb adjustment

Glass Option

Clear, Ultra Clear, Easy-Cleaning

Finish

Polished Stainless, Brushed Stainless, Satin Black



SPECIFICATION

Dimensions In Imperial Units

Model	Finish wall to return panel (L)	Approx. entry opening(O)	Height (H)
H05	32"	21"	76"
	36"	24"	
	40"	24"	78"
	44"	24"	
	48"	24"	

Glass: 1/4" , 5/16" or 3/8"
Return panel(W):32" - 36"

Dimensions In Metric Units

Model	Finish wall to return panel (L)	Approx. entry opening(O)	Height (H)
H05	800mm	530mm	1900mm
	900mm	600mm	
	1000mm	600mm	2000mm
	1100mm	600mm	
	1200mm	600mm	

Glass: 6mm , 8mm or 10mm
Return panel(W):800mm , 900mm , 1000mm

H06/07

Hinge Door

FEATURES

- Frameless hinge door design
- 90 degree hinge with self-closing mechanism
- Fixed panel and return panel can be made in customized size
- 25mm(1") U channel as wall profile and bottom profile for fixed panel

Door Opening Direction

The right or left door panel

Adjustment

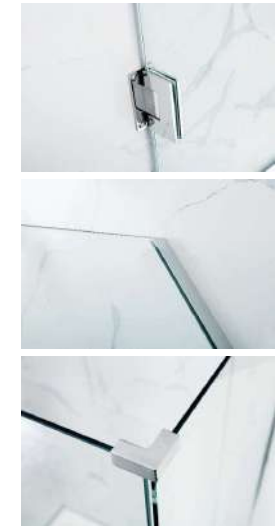
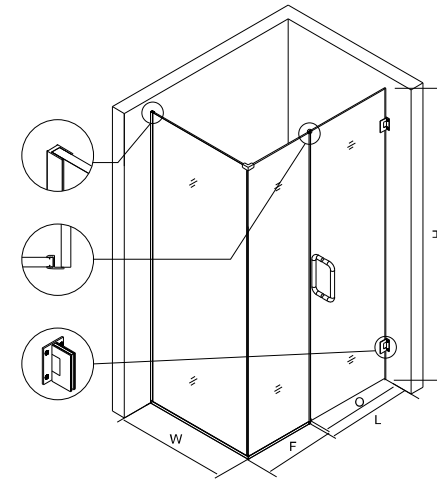
This door does not have out-of-plumb adjustment

Glass Option

Clear, Ultra Clear, Easy-Cleaning

Finish

Chrome, Brushed Nickel, Satin Black



SPECIFICATION

Dimensions In Imperial Units

Model	Finish wall to finish wall (L)	Approx. entry opening(O)	Height (H)
H06	23"	22.5"	76"
	26"	25.5"	
	29"	28.5"	

Glass: 5/16" or 3/8"
 Fixed panel(H07): 6" - 23"
 Return panel(W): 24" - 36"

Dimensions In Metric Units

Model	Finish wall to finish wall (L)	Approx. entry opening(O)	Height (H)
H06	600mm	585mm	1900mm
	650mm	635mm	
	700mm	785mm	

Glass: 8mm or 10mm
 Fixed panel(H07): 150mm - 600mm
 Return panel(W): 700mm , 800mm , 900mm , 1000mm

H08

Hinge Door

FEATURES

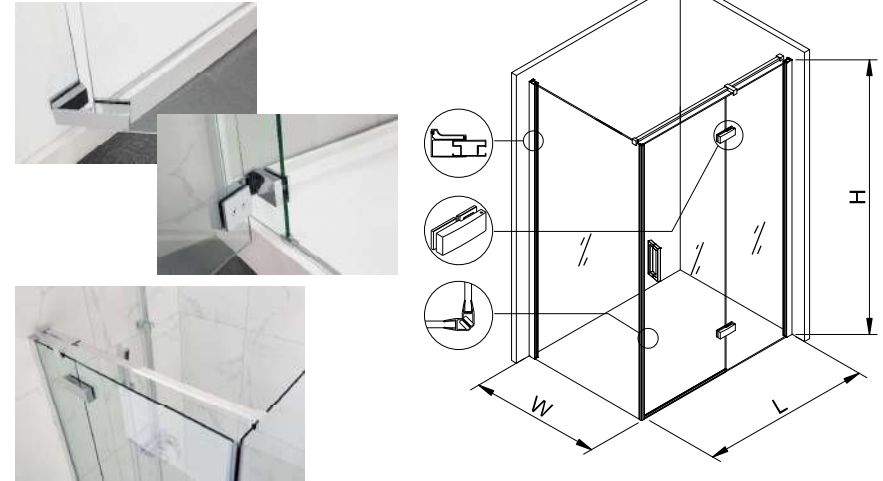
- Frameless hinge door design
- Aluminum wall profile offers out-of-plumb adjustment
- The Direction of support bar both ends are adjustable each side.

Door Opening Direction
The right or left door panel

Adjustment
This door offers 20mm (3/4") out-of-plumb adjustment

Glass Option
Clear, Ultra Clear, Easy-Cleaning

Finish
Chrome, Brushed Nickel, Satin Black



SPECIFICATION

Dimensions In Imperial Units

Model	Finish wall to finish wall (L)	Approx. entry opening(O)	Height (H)
H08	32"	21"	76" 78"
	36"	24"	
	40"	24"	
	44"	24"	
	48"	24"	

Glass: 5/16" or 3/8"
Return panel(W):32" - 36"

Dimensions In Metric Units

Model	Finish wall to finish wall (L)	Approx. entry opening(O)	Height (H)
H08	800mm	555mm	1900mm 2000mm
	900mm	605mm	
	1000mm	605mm	
	1100mm	605mm	
	1200mm	605mm	

Glass: 8mm or 10mm
Return panel(W):800mm , 900mm , 1000mm