

# DS01

## Double Sliding Door



### FEATURES

- Anti-jump system
- Max.72" width for an open and spacious feeling
- Stainless steel rollers create an effortless operation.
- Rubber door stopper protects the glass door
- SGCC certified tempered glass
- The anti-splash threshold in L shape to prevent water spills

#### Door Opening Direction

Two sliding doors opening either left or right

#### Adjustment

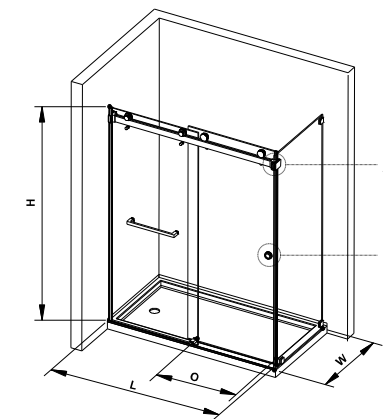
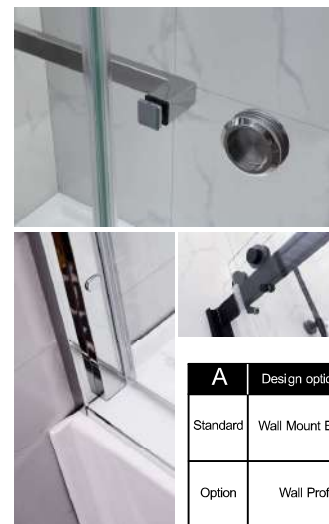
Wall mount bracket solution: no out-of-plumb adjustment  
 Wall profile solution: 10mm (3/8") out-of-plumb adjustment

#### Glass Option

Clear, Ultra Clear, Easy-Cleaning

#### Finish

Polished Stainless, Brushed Stainless, Satin Black



A	Design options	Diagram	P/N	B	Design options	Diagram	P/N
Standard	Wall Mount Bracket		0301	Standard	Towel Bar Handle		0106
Option	Wall Profile*		0247	Option	Finger pull knob		0101

\*No return panel if wall profile used

### SPECIFICATION

#### Dimensions In Imperial Units

Model	Finish wall to finish wall (L)	Approx. entry opening(O)	Height (H)
DS01	46"-48"	23"	60" 76"
	52"-54"	25"	
	57"-60"	27"	
	62"-66"	31"	
	66"-72"	33"	

Glass: 5/16" or 3/8"

Return panel(W):32" - 36"

#### Dimensions In Metric Units

Model	Finish wall to finish wall (L)	Approx. entry opening(O)	Height (H)
DS01	1150-1200mm	584mm	1500mm 1900mm
	1200-1300mm	660mm	
	1300-1400mm	635mm	
	1400-1500mm	711mm	
	1500-1600mm	787mm	
	1600-1800mm	863mm	

Glass: 8mm or 10mm

Return panel(W):800mm , 900mm ,1000mm

# DS02

## Double Sliding Door

### FEATURES

- Anti-jump system
- 4 rollers in total, 2 are visible, another 2 are invisible
- Space-saving sliding door panel with invisible rollers
- Rubber door stopper protects the glass door
- SGCC certified tempered glass

#### Door Opening Direction

Two sliding doors opening either left or right

#### Adjustment

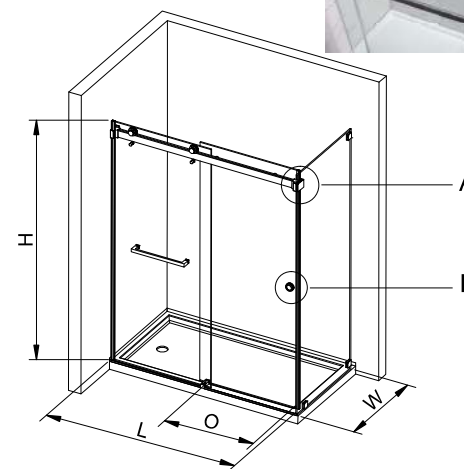
Wall mount bracket solution: no out-of-plumb adjustment  
 Wall profile solution: 10mm (3/8") out-of-plumb adjustment

#### Glass Option

Clear, Ultra Clear, Easy-Cleaning

#### Finish

Polished Stainless, Brushed Stainless, Satin Black



A	Design options	Diagram	P/N
Standard	Wall Mount Bracket		0301
Option	Wall Profile*		0247

\*No return panel if wall profile used

B	Design options	Diagram	P/N
Standard	Towel Bar Handle		0106
Option	Finger pull knob		0101

### SPECIFICATION

#### Dimensions In Imperial Units

Model	Finish wall to finish wall (L)	Approx. entry opening(O)	Height (H)
DS02	46"-48"	23"	60" 76"
	52"-54"	25"	
	57"-60"	27"	
	62"-66"	31"	
	66"-72"	33"	

Glass: 3/8" Return panel(W):32" - 36"

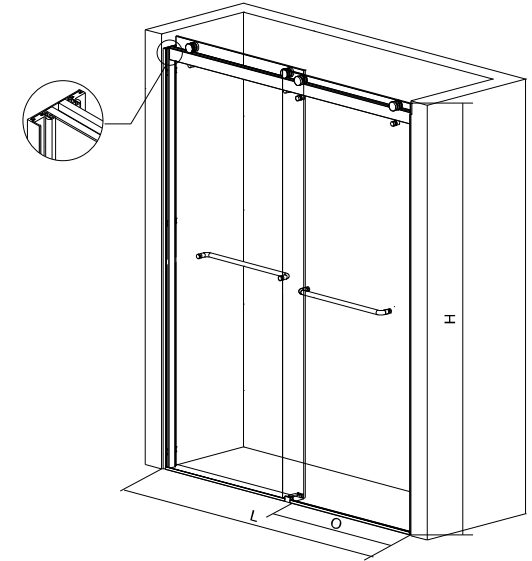
#### Dimensions In Metric Units

Model	Finish wall to finish wall (L)	Approx. entry opening(O)	Height (H)
DS02	1150-1200mm	584mm	1500mm 1900mm
	1200-1300mm	660mm	
	1300-1400mm	635mm	
	1400-1500mm	711mm	
	1500-1600mm	787mm	
	1600-1800mm	863mm	

Glass: 10mm  
 Return panel(W):800mm , 900mm ,1000mm

# DS03

## Double Sliding Door



### FEATURES

- Specially designed wall profile with slot cut simplifies rail installation
- Full-length anti-collision strips for quite gliding experience
- Two towel bars double as handles on each panel

#### Door Opening Direction

Two sliding doors opening either left or right

#### Adjustment

This door offers 10mm (3/8") out-of-plumb adjustment

#### Glass Option

Clear, Ultra Clear, Easy-Cleaning

#### Finish

Chrome, Brushed Nickel, Satin Black



### SPECIFICATION

#### Dimensions In Imperial Units

Model	Finish wall to finish wall (L)	Approx. entry opening(O)	Height (H)
DS03	44"-48"	23"	76"
	56"-60"	28"	

Glass: 5/16" or 3/8"  
W/O return panel

#### Dimensions In Metric Units

Model	Finish wall to finish wall (L)	Approx. entry opening(O)	Height (H)
DS03	1100-1200mm	587mm	1900mm
	1400-1500mm	711mm	

Glass: 8mm or 10mm  
W/O return panel

# DS04

## Double Sliding Door



### FEATURES

- Perfect balance on frameless design & out-of-plumb adjustment function
- Specially designed stainless steel wall profile meets out-of-plumb adjustment
- Convenient towel bar & finger pull knob on each door panel
- Anti-splash threshold to prevent water spills

#### Door Opening Direction

Two sliding doors opening either left or right

#### Adjustment

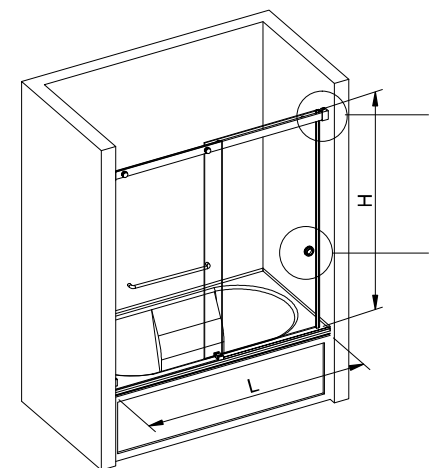
This door offers 10mm (3/8") out-of-plumb adjustment





#### Glass Option

Clear, Ultra Clear, Easy-Cleaning

#### Finish

Polished Stainless, Brushed Stainless, Satin Black



A	Design options	Diagram	P/N	B	Design options	Diagram	P/N
Standard	Wall Mount Bracket		0301	Option	Towel Bar Handle		0111
Option	Wall Profile*		0241	Option	Finger pull knob		0101

\*No return panel if wall profile used

### SPECIFICATION

#### Dimensions In Imperial Units

Model	Finish wall to finish wall (L)	Approx. entry opening(O)	Height (H)
DS04	46"-48"	21"	60"
	52"-54"	24"	
	58"-60"	27"	

Glass: 5/16"  
Return panel(W):32" - 36"

#### Dimensions In Metric Units

Model	Finish wall to finish wall (L)	Approx. entry opening(O)	Height (H)
DS04	1150-1200mm	533mm	1500mm
	1300-1350mm	609mm	
	1450-1500mm	685mm	

Glass: 8mm  
Return panel(W):800mm , 900mm , 1000mm



# DS05

## Double Sliding Door

### FEATURES

- Installation friendly design
- Stainless steel sliding rollers ensure smooth opening and closing
- The threshold track prevents dirt buildup and helps eliminate water leaks

#### Door Opening Direction

Two sliding doors opening either left or right

#### Adjustment

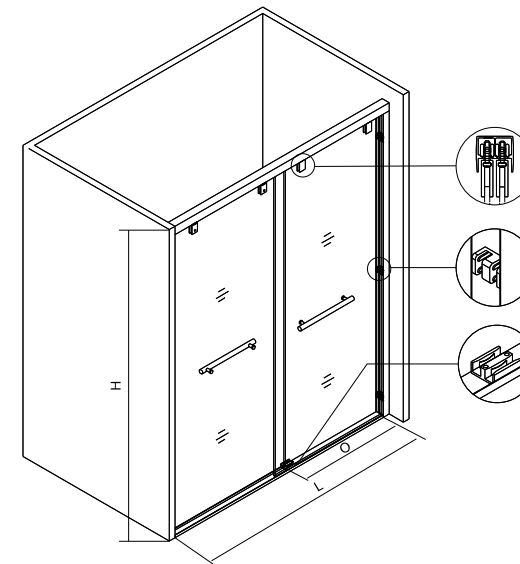
This door offers 20mm (3/4") out-of-plumb adjustment

#### Glass Option

Clear, Ultra Clear, Easy-Cleaning

#### Finish

Chrome, Brushed Nickel, Satin Black



### SPECIFICATION

#### Dimensions In Imperial Units

Model	Finish wall to finish wall (L)	Approx. entry opening(O)	Height (H)
DS05	46"-48"	21"	60"
	58"-60"	27"	75"

Glass: 5/16"  
W/O return panel

#### Dimensions In Metric Units

Model	Finish wall to finish wall (L)	Approx. entry opening(O)	Height (H)
DS05	1150-1200mm	533mm	1500mm
	1400-1500mm	685mm	1900mm

Glass: 8mm  
W/O return panel

# DS06

## Double Sliding Door

### FEATURES

- Installation friendly design
- Designed for the glass at 6mm or 8mm ,1/4" or 5/16"
- Stainless steel sliding rollers ensure smooth opening and closing
- The threshold track prevents dirt buildup and helps eliminate water leaks

#### Door Opening Direction

Two sliding doors opening either left or right

#### Adjustment

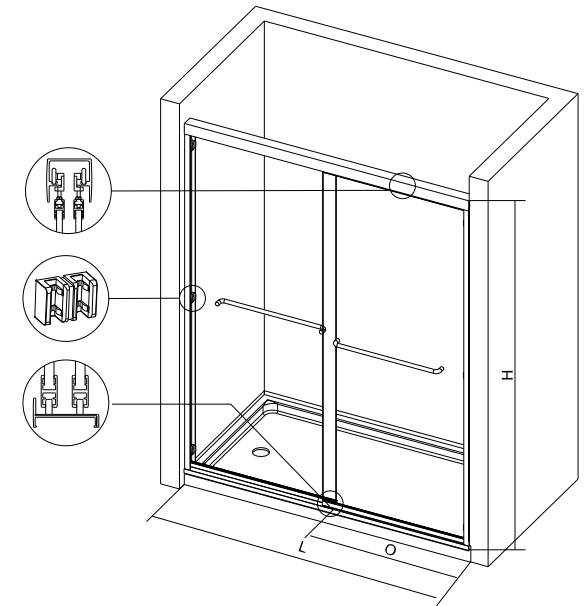
This door offers 20mm (3/4") out-of-plumb adjustment

#### Glass Option

Clear, Ultra Clear, Easy-Cleaning

#### Finish

Chrome, Brushed Nickel, Stain Black



### SPECIFICATION

#### Dimensions In Imperial Units

Model	Finish wall to finish wall (L)	Approx. entry opening(O)	Height (H)
DS06	46"-48"	21"	60" 75"
	52"-54"	24"	
	58"-60"	27"	

Glass: 1/4" or 5/16"  
W/O return panel

#### Dimensions In Metric Units

Model	Finish wall to finish wall (L)	Approx. entry opening(O)	Height (H)
DS06	1150-1200mm	533mm	1500mm
	1400-1500mm	685mm	1900mm

Glass: 6mm or 8mm  
W/O return panel